

NEW!

Neoloop Square Top-Emitting

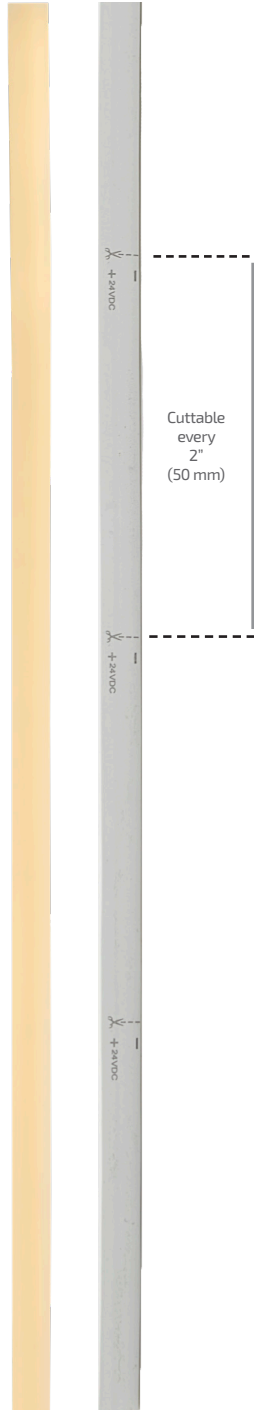
24VDC

2.2W/ft.
(7.2W/m)

296 Lumens per ft.
(970 per meter)



Neoloop Square provides ultra-sleek white light, ideal for accentuating closets and cabinetry with seamless illumination, while ensuring uncompromising light quality, efficiency, and longevity. Its thin profile offers a robust solution for recessed applications, allowing for back-to-back installation into a single panel, providing versatility and efficient lighting solutions for wood cabinetry.



Features:

Provides minimalistic lines of light recessed into closet verticals at a depth of 6 mm

Chip-On-Board construction provides maximum illumination with Luniform technology for smooth, even lighting

Available in (4) standard color temperatures: 3000K, 3500K, 4000K and 5000K

Reliable color consistency with an SDCM rating less than 5

Available in 5 ft., 7 ft., 8 ft. and 16 ft lengths to align with standard closet verticals with molded power feeds on both ends for minimal cut waste. Cuttable every 2" (50 mm)

Suitable for wet location applications when properly installed and requires accessories that are not offered or supported by Tresco Lighting®

Typical Applications:

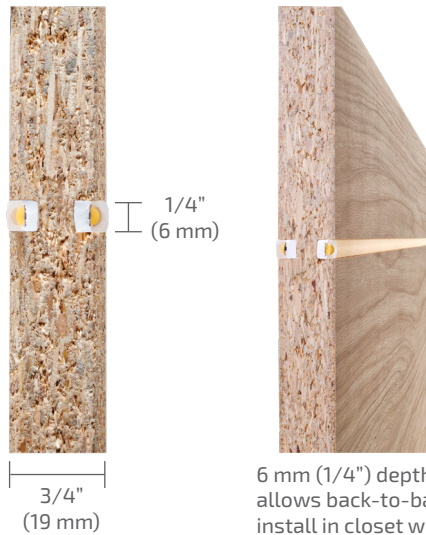
Closet lighting

Toe Kick lighting

Cove lighting

Stairways

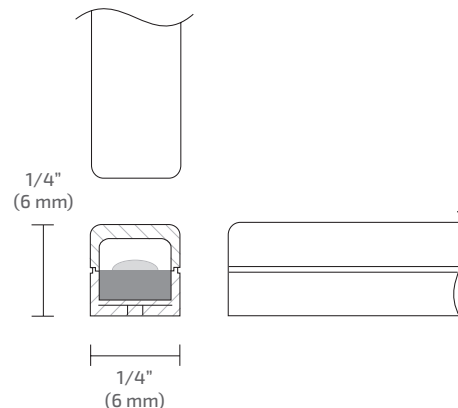
Accent lighting



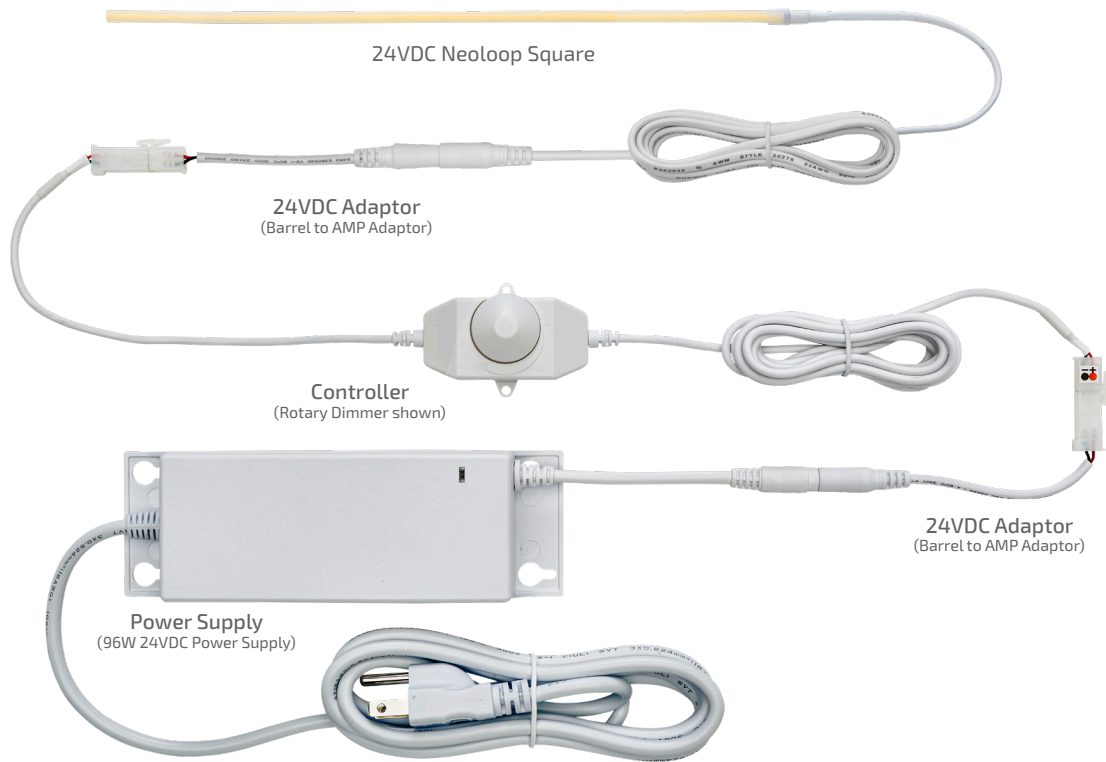
Available Finish:



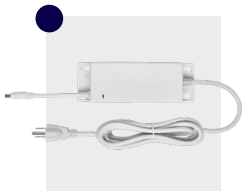
Dimensions:



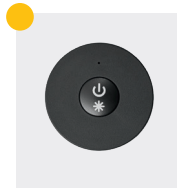
Typical Setup:



Accessories:



Power Supplies
See Tresco Specification Guide page 150



Controllers
See Tresco Specification Guide page 160

Specifications:

Wattage	Lumens	Efficacy (lm/W)	Input Voltage	Diode Life	CRI	Bend Diameter	Bend Axis	Max Per 96W Power Supply	Mounting	Warranty	Beam Angle																												
2.2W/ft (7.2W/m)	296 per ft. (970 per m)	134	24VDC	50,000 Hours	>90	2.3" (60 mm)	Vertical	43.63' (13 m)	Recess/Surface	5 Year																													
Photometric Data							Color Temperature																																
		Height	Light Output	Beam Area		<table border="1"> <tr> <td>Warm White</td> <td colspan="2">Warm to Neutral</td> <td>Cool White</td> <td>Daylight</td> </tr> <tr> <td>2700K</td> <td>3000K</td> <td>3500K</td> <td>4000K</td> <td>4500K</td> <td>5000K</td> <td>5500K</td> <td>6500K</td> </tr> <tr> <td>▲</td> <td>▲</td> <td>▲</td> <td>▲</td> <td></td> <td>▲</td> <td></td> <td></td> </tr> <tr> <td></td> <td></td> <td></td> <td></td> <td></td> <td></td> <td></td> <td></td> </tr> </table>					Warm White	Warm to Neutral		Cool White	Daylight	2700K	3000K	3500K	4000K	4500K	5000K	5500K	6500K	▲	▲	▲	▲		▲										
		Warm White	Warm to Neutral		Cool White	Daylight																																	
		2700K	3000K	3500K	4000K	4500K	5000K	5500K	6500K																														
		▲	▲	▲	▲		▲																																
1 ft. (3 m)	43.8 Fc (477 lx)	169 ft. L x 1.5 ft. W (5.2 m L x .5 m W)																																					
3 ft. (9 m)	4.8 Fc (53 lx)	50.6 ft. L x 4.5 ft. W (15.4 m L x 1.4 m W)																																					
6 ft. (1.8 m)	1.2 Fc (13 lx)	101.2 ft. L x 9.1 ft. W (30.8 m L x 2.8 m W)																																					
L-N4-24V3WM-40K-60-1 Tested																																							